

# DYNAGATE®

▪ *Reliable* ▪ *Durable* ▪ *Economical*

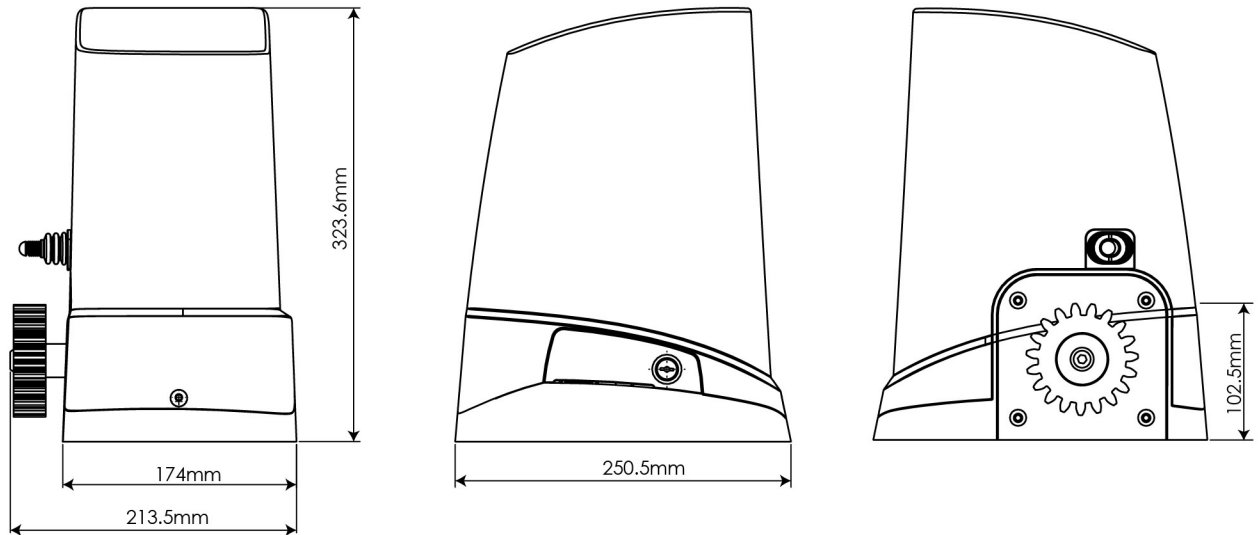


Manufactured under Europe standard

## **HUSKY AC1000** (with key release) **Dual Speed AC Sliding Gate Openers**

**DYNAGATE HUSKY AC1000** electro-mechanical AC sliding gate openers are specially designed for residential and commercial application. Its advance electronic control board built in with self learning speed control feature ensures a steady and smooth gate motion with 2 speed control - opening or closing with fast speed and stopping on slow speed.

### Dimension of Device



### TECHNICAL CHARACTERISTICS

#### Technical Data Sheet of HUSKY Series

	Husky AC500	Husky AC700	Husky AC1000
<b>Specifications</b>	500kg level	700kg level	1000kg level
<b>Power supply</b>	AC 230V 50Hz	AC 230V 50Hz	AC 230V 50Hz
<b>Gate weight</b>	500kg	700kg	1000kg
<b>Max torque</b>	550N.m	750N.m	1050N.m
<b>Limit switch</b>	Spring	Spring	Spring
<b>Speed in meter</b>	12m/min	12m/min	12m/min
<b>Temperature</b>	-45°C to 65°C	-45°C to 65°C	-45°C to 65°C
<b>Protection class</b>	IP 54	IP 54	IP 54

#### R1 Transmitter Data Sheet

<b>Application</b>	Radio transmitter
<b>Frequency</b>	433.92Mhz
<b>Coding</b>	Rolling code
<b>Buttons</b>	4, for single-gate or dual-gate operation
<b>Power Supply</b>	12V with one 27A Alkaline Battery
<b>Operating Temperature</b>	-20°C~+50°C
<b>Dimension</b>	71.5mm x 33mm x 14mm

